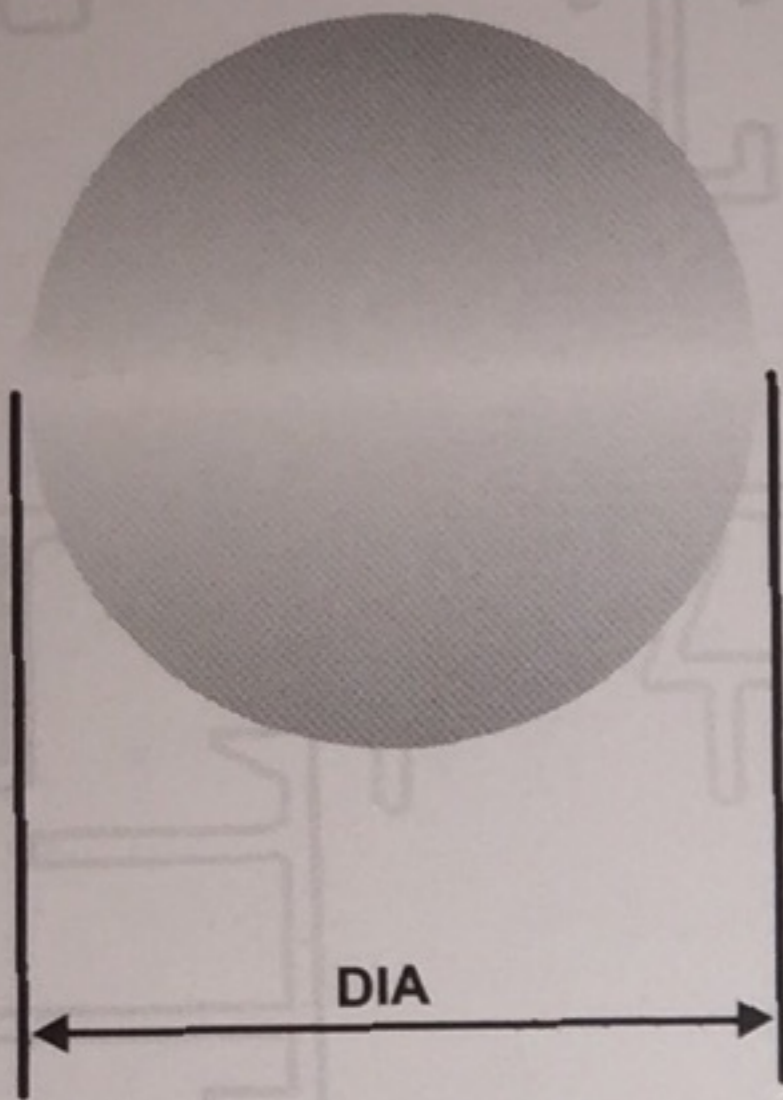
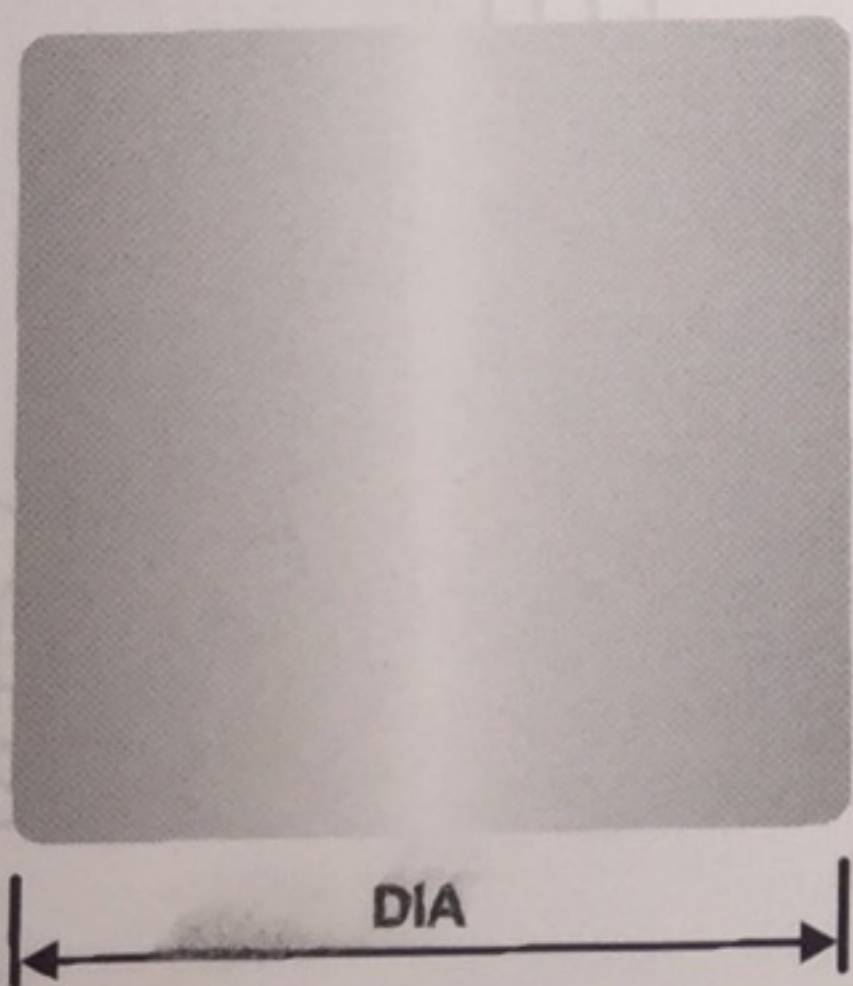


ROUND ROD



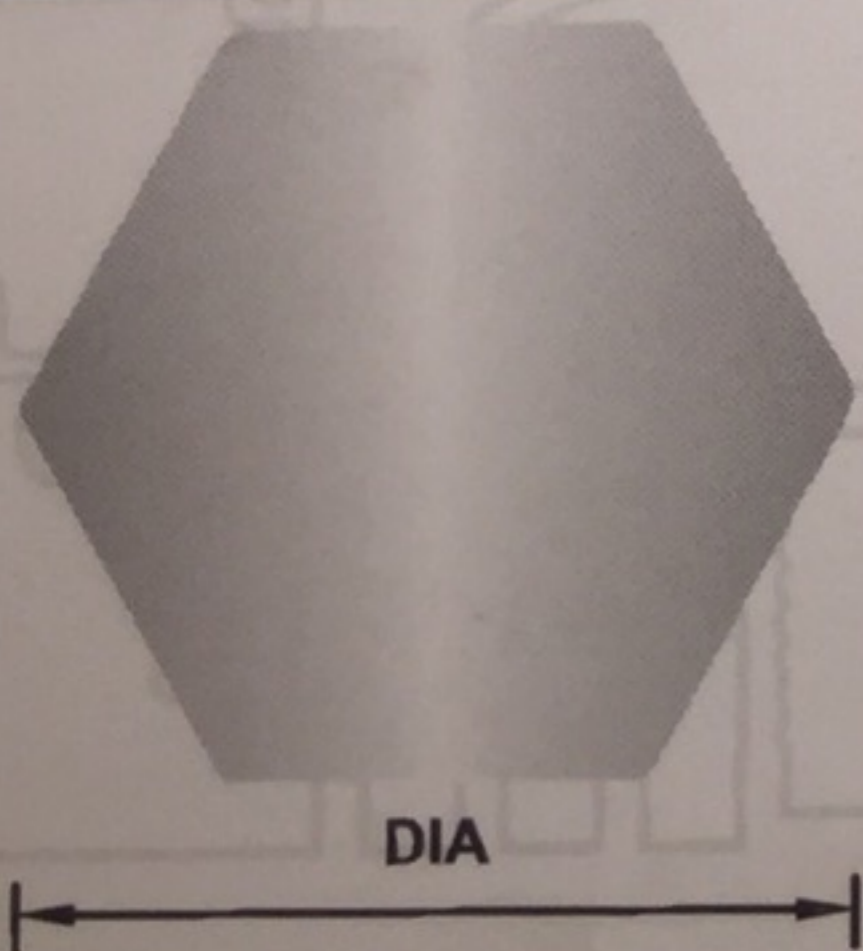
SE. No.	DIA	WT RANGE /12FT	
50004	5.80	0.250	0.280
50006	6.00	0.280	0.320
50008	7.70	0.420	0.470
50009	7.85	0.470	0.520
50012	8.70	0.580	0.610
50014	9.00	0.630	0.660
50017	9.50	0.700	0.730
50018	9.65	0.720	0.750
50019	9.80	0.750	0.830
50020	10.00	0.760	0.800
50021	10.10	0.800	0.880
50022	10.50	0.850	0.890
50023	10.70	0.880	0.910
50024	10.85	0.910	0.950
50025	11.00	0.950	1.050
50026	11.20	0.960	1.050
50027	11.50	1.000	1.100
50030	12.00	1.150	1.250
50032	12.50	1.200	1.300
50033	13.20	1.300	1.450
50034	14.00	1.500	1.600
50038	15.40	1.800	1.900
50042	18.50	2.650	2.920
50043	18.90	2.750	3.030
50047	21.00	3.400	3.740
50048	22.00	3.750	4.120
50051	25.00	4.800	5.280

SQUARE BAR



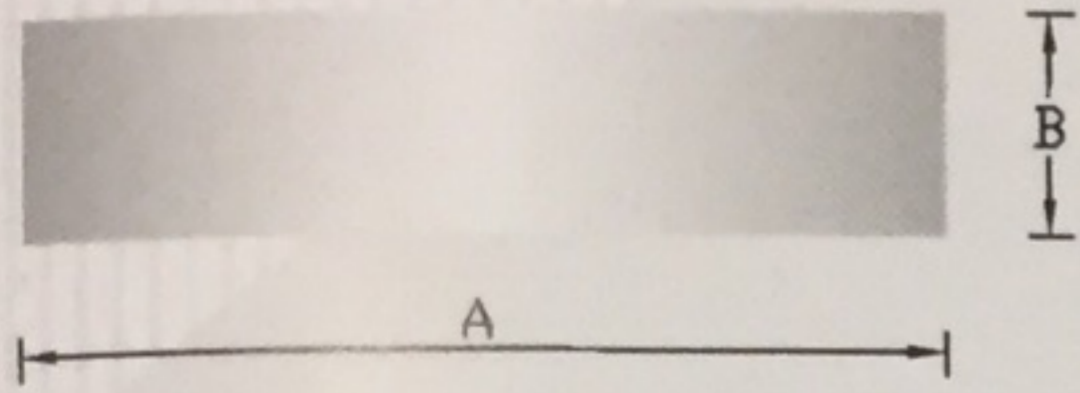
SE. No.	DIA	WT RANGE /12FT	
50105	9.50	0.900	1.000
50106	10.00	0.975	1.050
50107	12.00	1.400	1.500

HEX ROD



SE. No.	DIA	WT RANGE /12FT	
50155	9.50	0.770	0.850
50157	11.30	1.090	1.200
50158	12.40	1.300	1.500

FLAT BAR

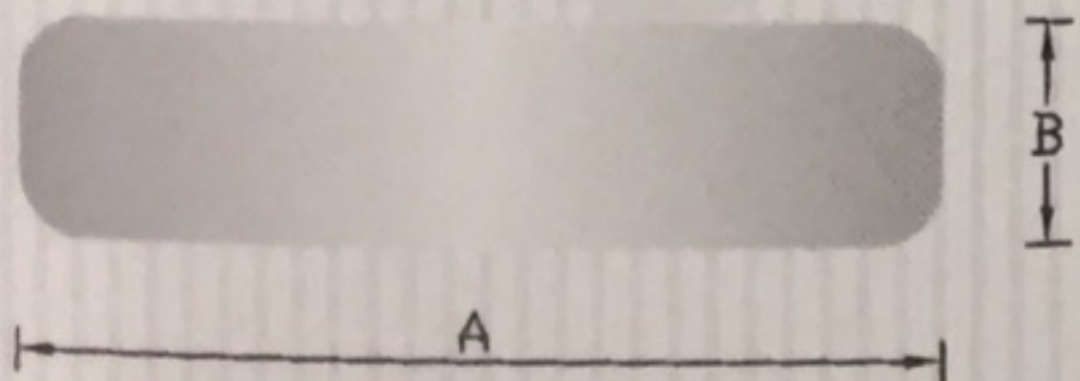


SE. No.	A	B	WT RANGE /12FT	
51002	12.00	3.00	0.350	0.400
51007	12.00	6.00	0.700	0.770
51014	19.00	2.50	0.470	0.550
51016	19.00	3.00	0.550	0.580
51016-M	19.00	3.70	0.690	0.750
51017	19.00	5.00	0.940	1.000
51018	19.00	6.00	1.120	1.250
51019	19.00	10.00	1.880	2.000
51020	20.00	5.00	0.980	1.080
51021	20.00	6.00	1.180	1.300
51022	20.00	10.00	1.950	2.150
51023	20.00	12.00	2.350	2.590
51026	25.00	2.00	0.490	0.540
51027	25.00	2.50	0.600	0.660
51028	25.00	3.00	0.740	0.810
51029	25.00	5.00	1.230	1.350
51030	25.00	6.00	1.500	1.650
51030-B	25.00	8.00	1.950	2.150
51031	25.00	10.00	2.450	2.700
51032	25.00	12.00	2.950	3.250
51035	30.00	3.00	0.890	0.980
51036	30.00	6.00	1.780	1.960
51037	30.00	10.00	2.950	3.250
51038	30.00	12.00	3.550	3.900
51040	32.00	6.00	1.900	2.100
51043	38.00	1.50	0.560	0.620
51045	38.00	3.00	1.130	1.250
51047	38.00	6.00	2.250	2.480
51048	38.00	10.00	3.750	4.100
51050	40.00	2.00	0.790	0.860
51051	40.00	3.00	1.180	1.300
51052	40.00	5.00	1.800	2.100
51052-M	40.00	6.00	2.250	2.550
51053	40.00	10.00	3.850	4.250
51054	40.00	12.00	4.600	5.050
51055	40.00	15.00	5.700	6.300
51062	50.00	3.00	1.480	1.630
51064	50.00	6.00	3.000	3.300
51065	50.00	10.00	4.800	5.250

SE. No.	A	B	WT RANGE /12FT	
51066	50.00	12.00	5.850	6.450
51068	50.00	25.00	12.150	13.350
51075	57.40	4.90	2.750	3.000
51078	60.00	6.00	3.550	3.800
51079	60.00	10.00	5.800	6.400
51080	60.00	12.00	7.100	7.800
51085	63.00	6.00	3.700	4.070
51086	63.00	10.00	6.200	6.800
51087	63.00	12.00	7.450	8.200
51090	75.00	6.00	4.400	4.850
51091	75.00	10.00	7.400	8.100
51092	75.00	12.00	8.800	9.700
51099	80.00	5.00	3.900	4.300
51100	80.00	6.00	4.700	5.200
51101	80.00	10.00	7.700	8.500
51102	80.00	12.00	9.400	10.350
51111	100.00	6.00	5.800	6.100
51113	100.00	10.00	9.800	10.800
51114	100.00	12.00	11.700	12.900
51114-A	100.00	12.50	12.300	13.550
51115	100.00	25.00	24.500	25.800
51117	120.00	6.00	7.100	7.800
51118	120.00	10.00	11.850	13.000
51122	125.00	6.00	7.400	8.150
51123	125.00	10.00	12.000	13.200
51124	125.00	12.00	14.800	16.200
51127	127.00	12.00	15.000	16.400
51128	140.00	10.00	13.800	15.100
51129	150.00	6.00	8.600	9.500
51130	150.00	10.00	14.800	16.300
51131	150.00	12.00	17.750	19.500
51138	160.00	6.00	9.500	10.500
51139	160.00	10.00	15.750	17.300
51140	160.00	12.00	18.900	20.800
51143	180.00	6.00	10.700	11.800
51144	180.00	10.00	17.700	19.500
51150	200.00	6.00	11.800	12.950
51152	200.00	10.00	19.700	21.600
51153	200.00	12.00	23.700	25.000



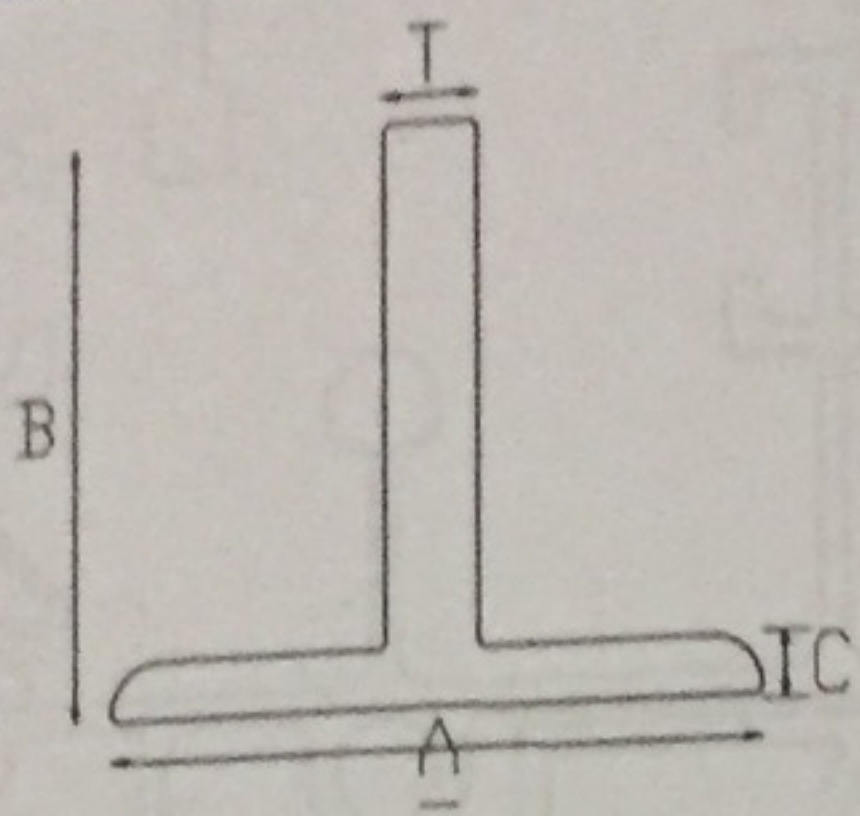
RADIUS FLAT BAR



SE. No.	A	B	WT RANGE /12FT	
51206	25.00	6.00	1.400	1.550
51210	25.00	10.00	2.400	2.700
51236	40.00	6.00	2.300	2.600
51246	50.00	6.00	2.900	3.400
51250	50.00	10.00	4.850	5.300
51252	50.00	12.00	5.800	6.800

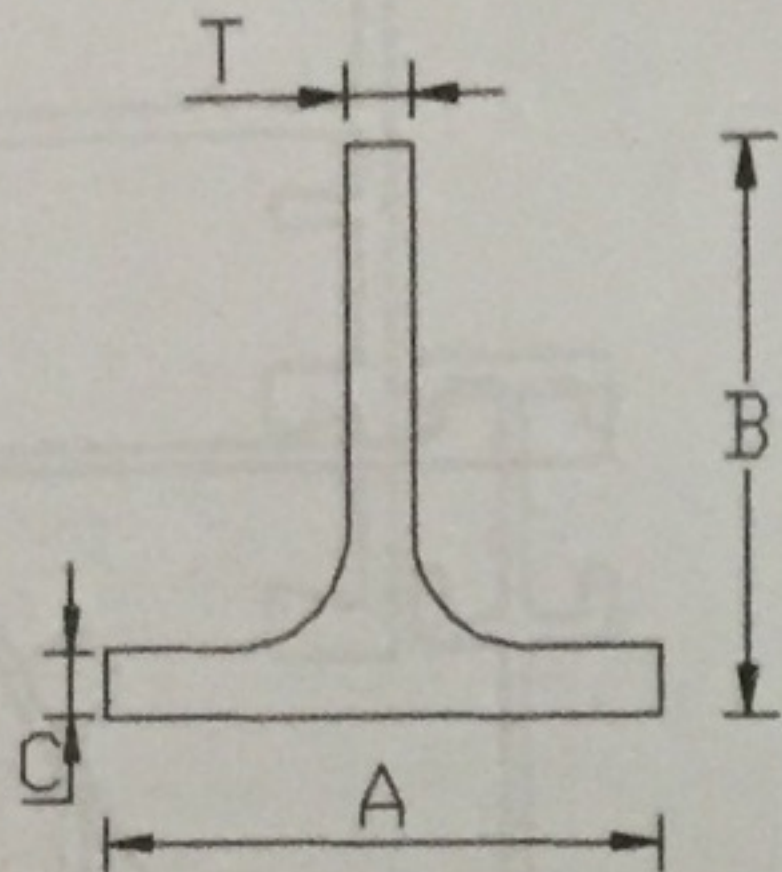
SE. No.	A	B	WT RANGE /12FT	
51255	63.00	10.00	6.150	6.700
51262	75.00	6.00	4.350	4.800
51272	80.00	6.00	4.650	5.150
51286	125.00	6.00	7.300	8.000
51290	125.00	10.00	12.250	13.500
51296	150.00	6.00	8.800	9.700

ALDROP-- TEES



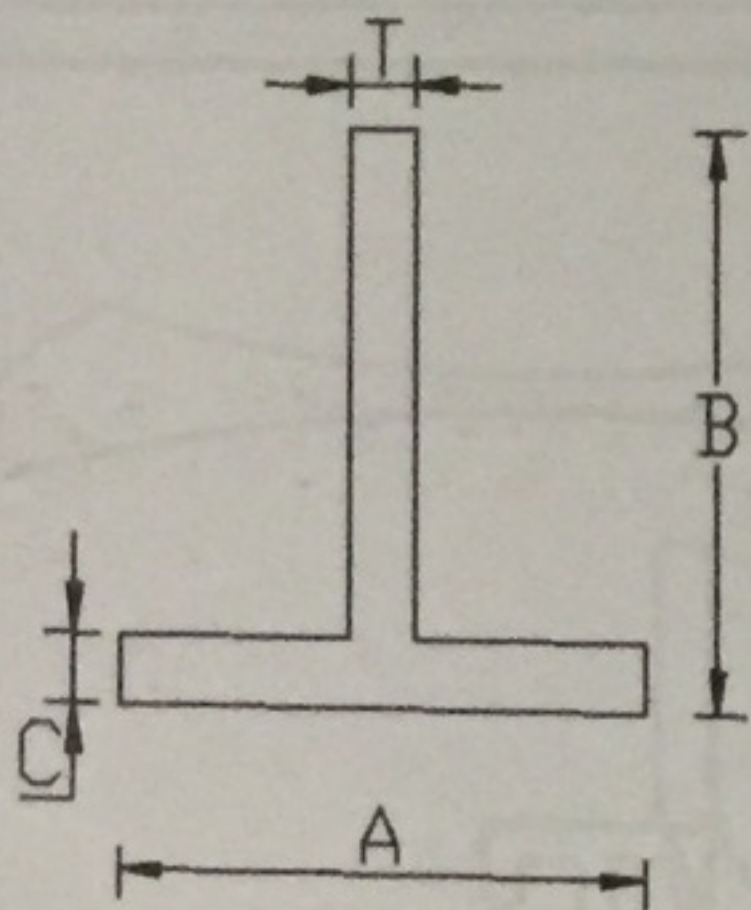
SE. No.	A	B	C	T	WT RANGE /12FT	
50503	30.10	33.40	1.80	4.60	2.000	2.200
50505	34.40	34.70	3.20	5.00	2.600	2.850
50507	42.00	39.50	3.50	6.25	3.600	3.800
50509	41.50	35.00	3.50	6.00	3.200	3.400

G.TEES



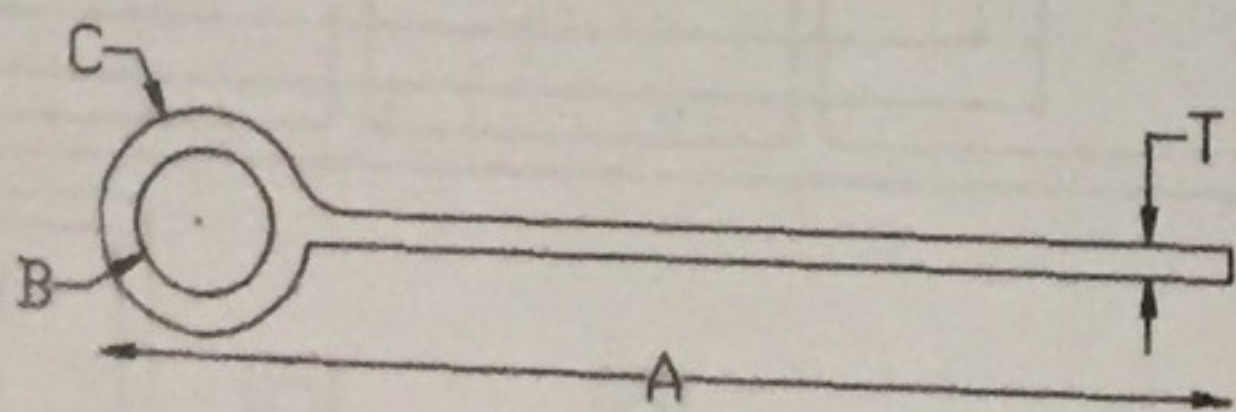
SE. No.	A	B	C	T	WT RANGE /12FT	
50511-L	24.30	24.30	2.00	1.60	0.800	0.900
50511	24.30	24.30	2.10	1.90	1.000	1.200
50511-M	24.30	24.30	3.00	2.85	1.300	1.500
50512	24.00	23.50	2.80	2.80	1.350	1.600

PLAIN TEES



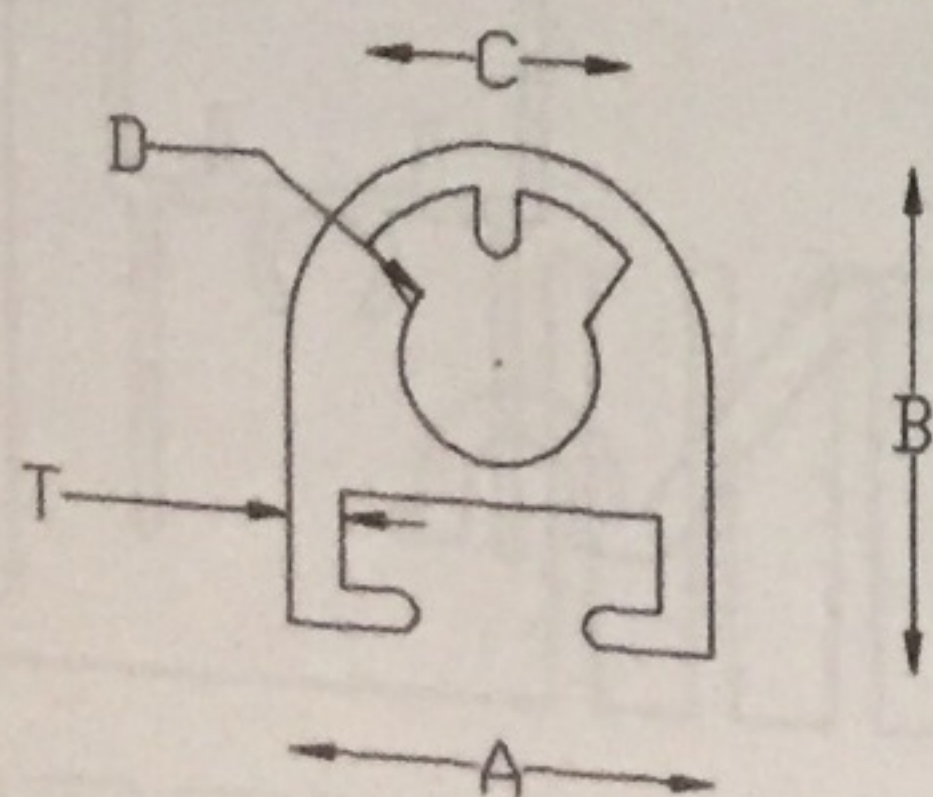
SE. No.	A	B	C	T	WT RANGE /12FT	
50516	25.30	29.30	3.20	3.20	1.600	1.750
50517	25.00	26.50	3.20	3.20	1.500	1.700
51605	18.00	18.00	1.00	1.00	0.330	0.380
51605-M	18.00	18.00	1.20	1.20	0.400	0.450
51606	19.00	19.00	1.00	1.00	0.380	0.450
51606-M	19.00	19.00	1.20	1.20	0.460	0.510
51611	25.20	25.20	1.15	1.15	0.560	0.620
51661	75.00	40.00	2.50	2.50	2.700	3.000

ALDROP-- PATTA



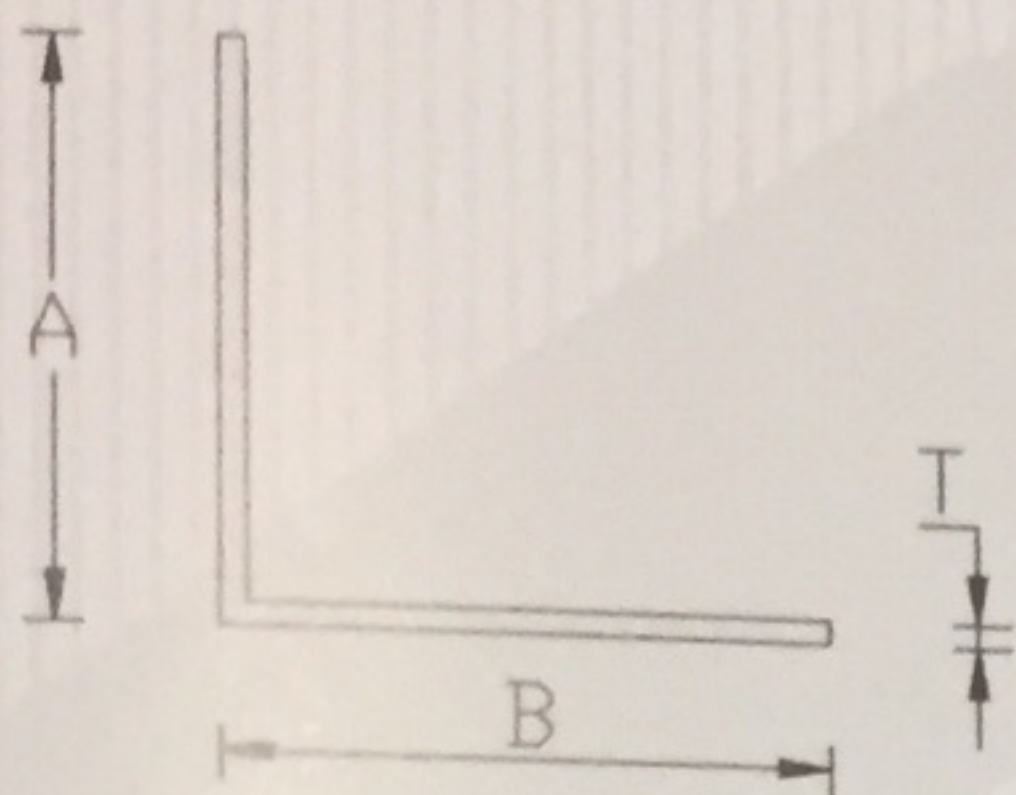
SE. No.	A	B	C	T	WT RANGE /12FT	
50575	102.00	13.35	20.00	3.35	4.400	4.700
50576	116.00	14.00	18.00	2.00	3.000	3.300
50578	123.20	14.90	21.90	2.45	4.650	5.000
50582	129.50	16.00	24.80	3.60	6.550	7.000

NEW HARDWARE



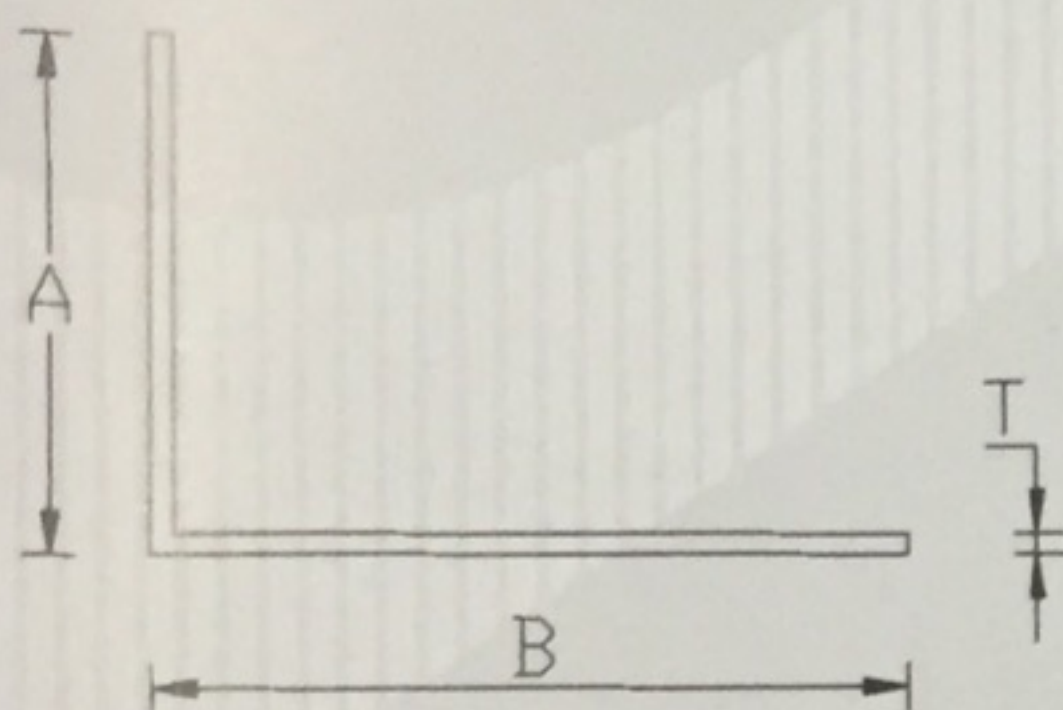
SE. No.	A	B	C	D	T	WT RANGE /12FT	
50601	15.00	17.00	9.25	7.00	1.40	1.240	1.350

EQUAL ANGLES



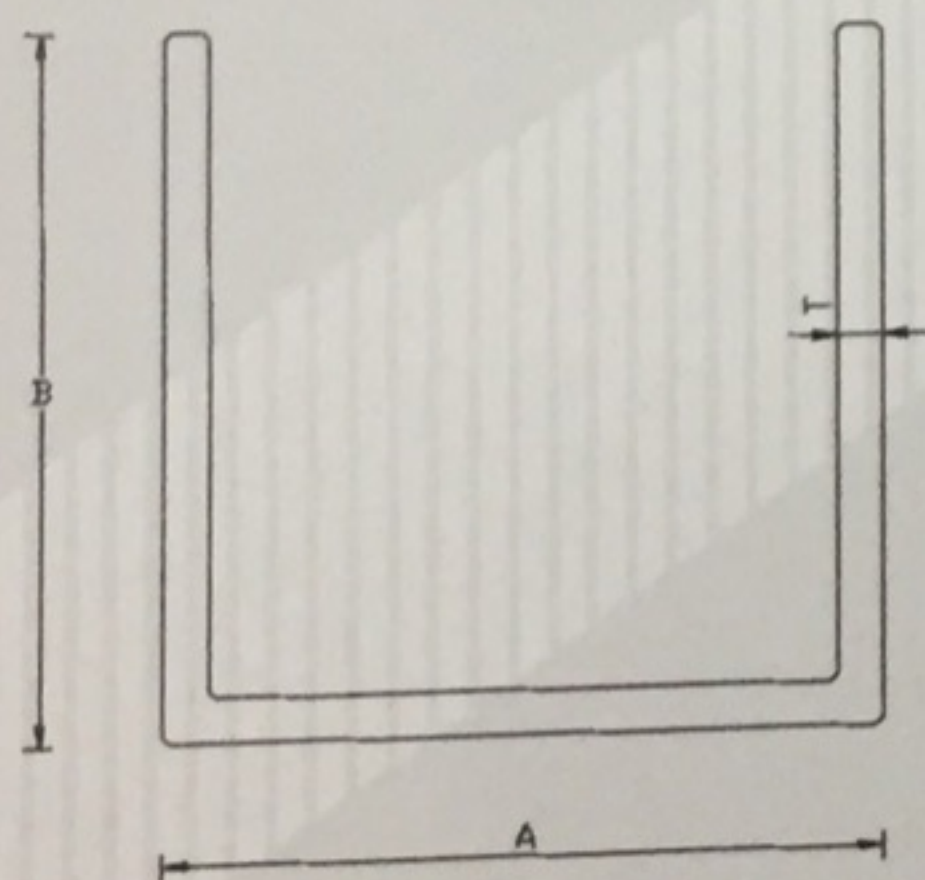
SE. No.	A	B	T	WT RANGE /12FT	
51303-L	19.00	19.00	1.00	0.370	0.420
51303-M	19.00	19.00	1.80	0.690	0.760
51303-H	19.00	19.00	2.30	0.850	0.930
51310	25.00	25.00	0.65	0.310	0.350
51311	25.00	25.00	0.90	0.420	0.460
51312	25.00	25.00	1.25	0.600	0.660
51313	25.00	25.00	1.70	0.800	0.880
51315	25.00	25.00	2.00	0.950	1.050
51325	38.00	38.00	2.00	1.450	1.600
51328	38.00	38.00	3.00	2.100	2.300
51330	38.00	38.00	5.00	3.400	3.750
51331	50.00	50.00	1.30	1.260	1.390
51332	50.00	50.00	3.00	2.800	3.100
51332-H	50.00	50.00	8.00	7.250	7.980
51341	75.00	75.00	3.00	4.500	4.750

UNEQUAL ANGLES



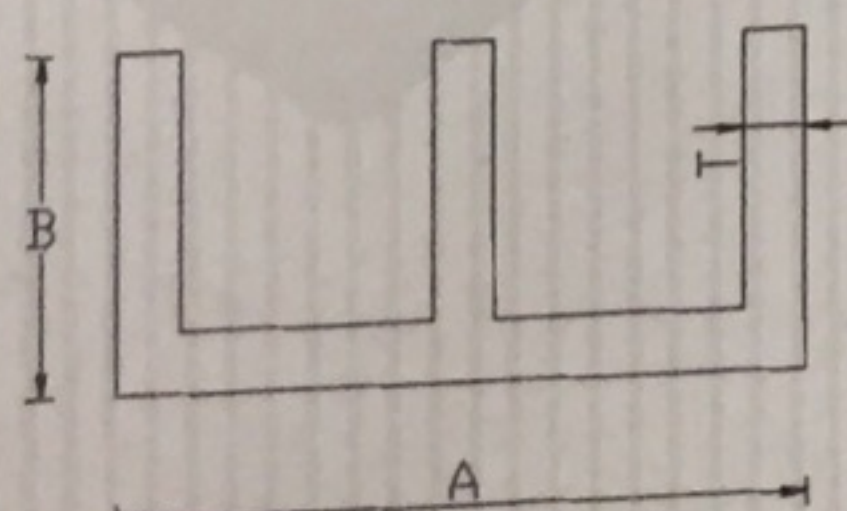
SE. No.	A	B	T	WT RANGE /12FT	
51353	19.00	12.00	1.00	0.300	0.350
51356	24.00	12.00	1.15	0.400	0.450
51357	24.00	12.00	1.75	0.600	0.660
51359	38.00	19.00	2.60	1.400	1.550
51372	38.00	25.00	2.00	1.200	1.350
51373	38.00	25.00	2.40	1.450	1.600
51374	38.00	25.00	3.00	1.800	2.000

SINGLE GLASS CHANNEL



SE. No.	A	B	T	WT RANGE /12FT	
51452	9.50	9.50	0.70	0.180	0.210
51455	9.00	12.00	0.70	0.190	0.220
51456	12.00	12.00	0.75	0.250	0.280
51460	15.00	15.00	0.95	0.400	0.450
51463	18.00	12.00	0.90	0.360	0.400
51464	18.00	25.00	0.85	0.550	0.620
51465	19.00	19.00	0.75	0.410	0.450
51466	18.00	18.00	1.40	0.710	0.800
51476	25.00	11.00	2.15	0.900	1.000
51479	25.00	18.00	1.60	0.910	1.010

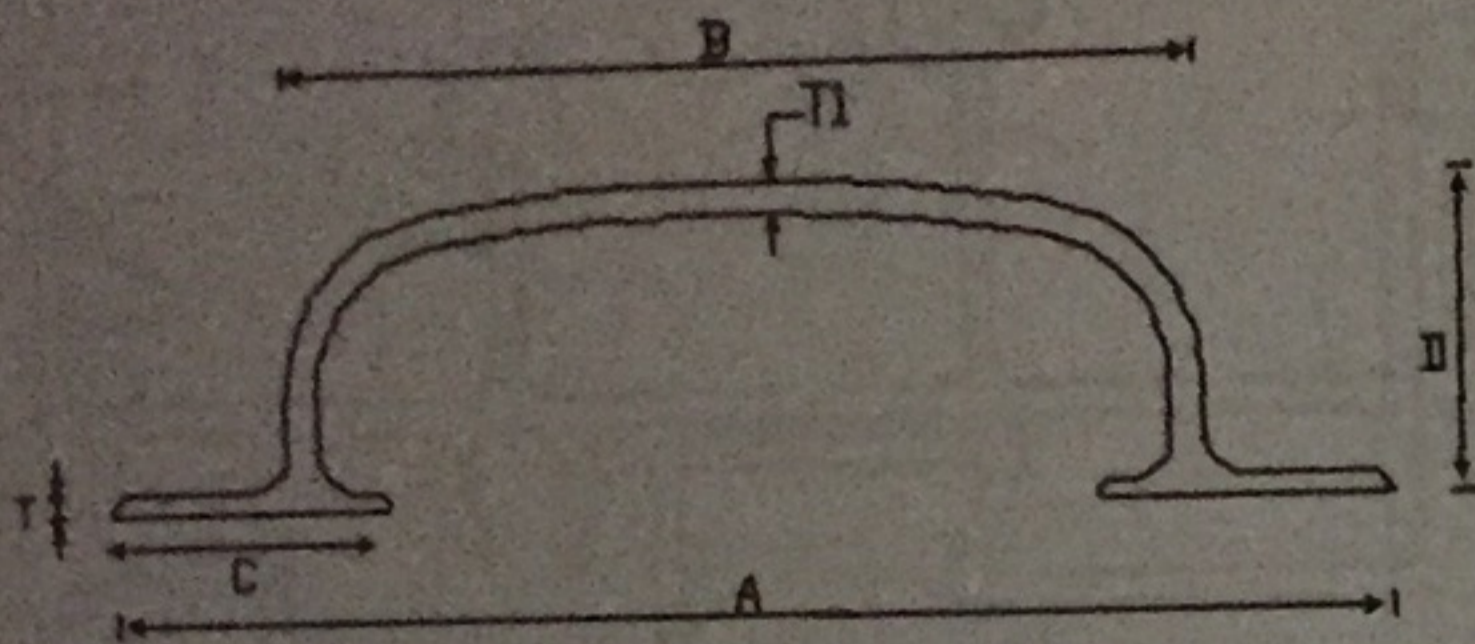
DOUBLE GLASS CHANNEL



SE. No.	A	B	T	WT RANGE /12FT	
51501	22.00	11.00	0.65	0.330	0.380
51502	22.00	11.00	0.80	0.450	0.500
51503	22.00	11.00	1.00	0.500	0.550
51504	22.00	11.00	1.20	0.600	0.660
51505	22.00	11.00	1.50	0.750	0.850
51512	25.00	12.00	0.80	0.460	0.510
51513	25.00	12.00	1.00	0.550	0.600
51516	28.00	14.50	1.00	0.700	0.800
51517	28.00	14.50	1.30	0.900	1.000

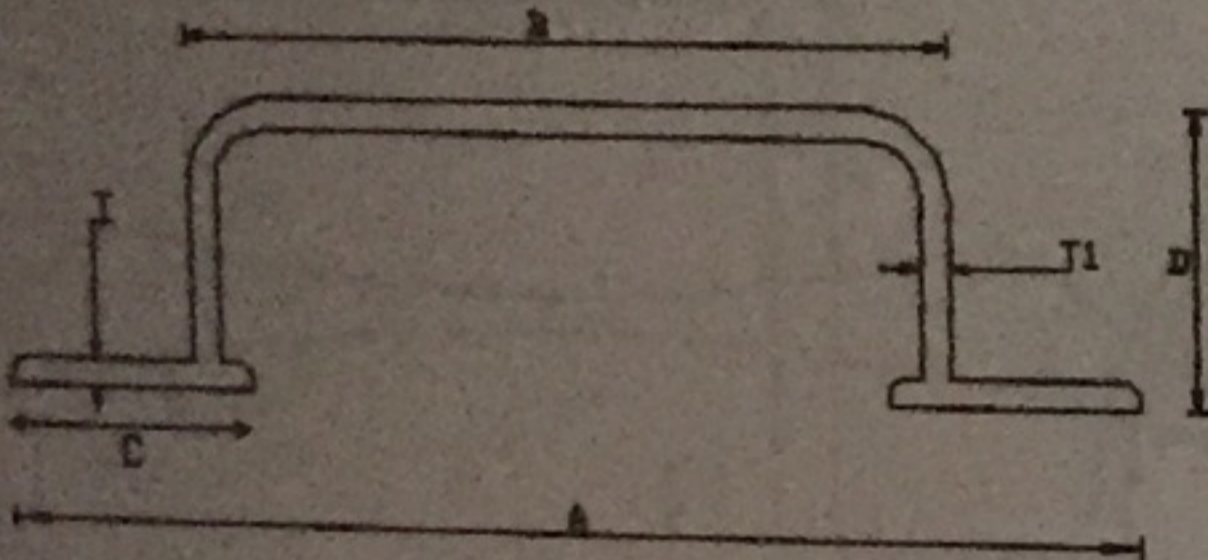
HARDWARES SECTIONS

C-HANDLES



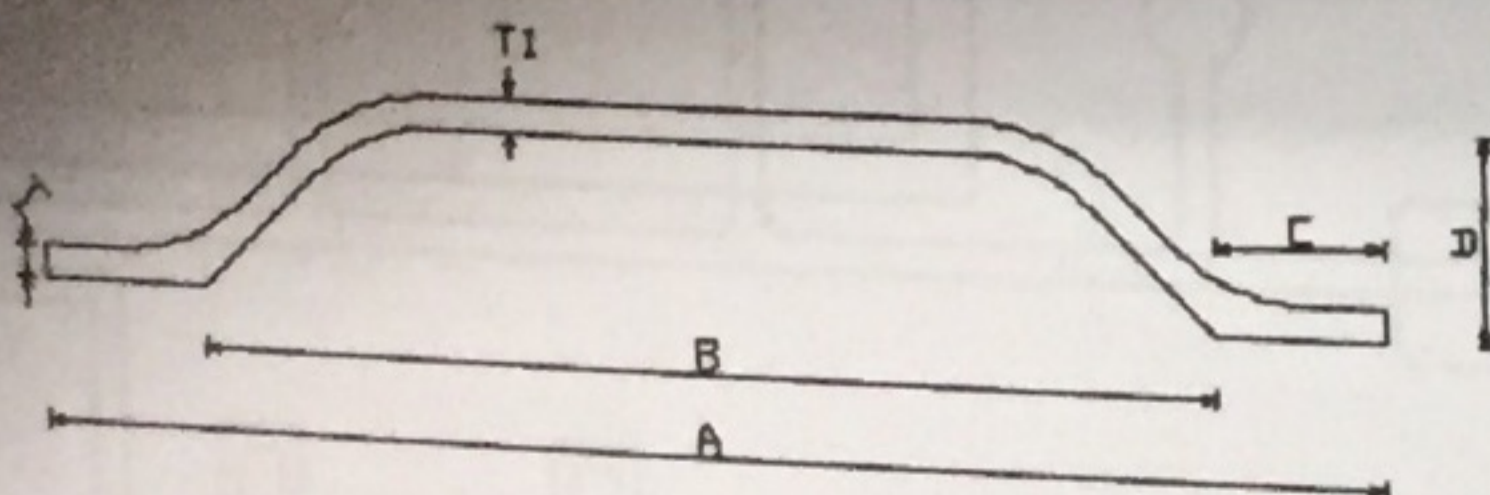
SE. No.	A	B	C	D	T	T1	WT RANGE /12FT	
50401	104.00	65.50	26.50	25.00	1.40	1.70	2.700	3.000
50403	121.50	81.30	27.20	33.70	1.70	2.40	3.500	3.900
50404	121.50	81.30	27.20	33.70	2.10	2.75	4.400	4.750
50405	126.80	83.20	34.40	36.30	3.20	3.50	6.300	6.400
50406	121.60	81.20	26.50	33.50	2.40	2.95	4.700	4.900
50407	121.60	81.20	26.50	33.50	2.50	3.00	4.750	5.000
50408	121.60	82.20	26.30	34.60	2.00	2.80	4.400	4.750
50413	128.00	84.50	36.00	36.80	2.60	2.90	5.200	5.800
50414	128.00	84.50	36.00	36.80	2.90	3.20	5.900	6.250
50415	128.00	82.80	34.45	35.90	2.95	3.25	6.050	6.350
50416	140.50	99.40	27.45	31.50	2.30	3.00	5.300	5.700
50416-L	140.50	98.90	27.30	35.40	2.50	2.50	4.950	5.300
50417-L	141.50	98.50	27.50	30.40	2.00	2.60	4.300	4.800
50417	141.50	98.50	27.50	30.40	2.50	3.00	5.300	5.600
50418	143.80	101.00	28.90	35.50	2.30	2.70	5.200	5.500
50420-L	143.00	98.80	39.00	38.50	2.80	3.00	6.800	7.200
50420	143.50	98.60	32.00	35.60	3.40	4.00	6.650	7.000
50421	147.50	105.00	32.50	34.20	2.50	3.70	6.900	7.500
50422	145.00	101.00	33.50	34.50	2.50	3.80	7.350	7.700
50426	145.00	101.00	33.50	34.50	2.80	4.00	7.800	8.500

D-HANDLES



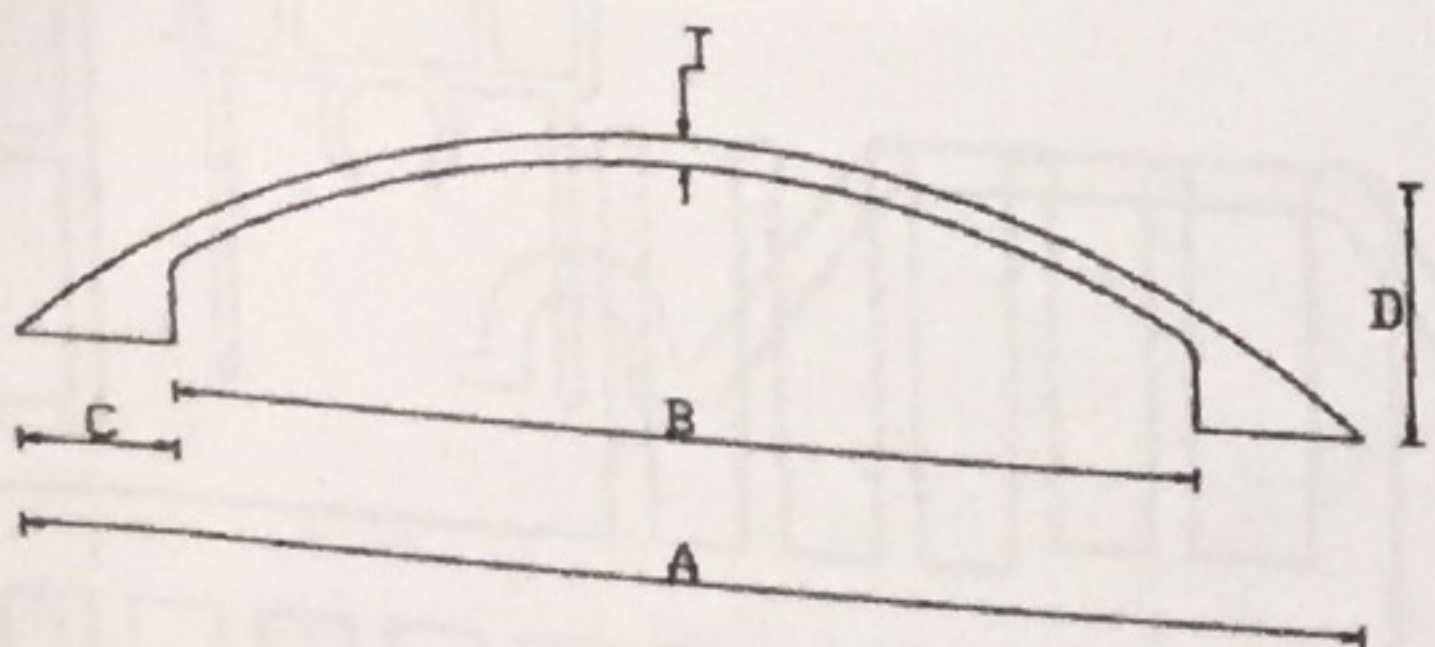
SE. No.	A	B	C	D	T	T1	WT RANGE /12FT	
50431	98.00	68.50	22.00	25.00	2.00	1.90	2.650	2.800
50437	123.50	82.80	25.00	28.60	1.80	2.30	3.600	4.000
50438	123.50	82.80	25.00	28.60	2.10	2.60	4.200	4.600
50439	123.50	82.80	25.00	28.60	2.50	3.00	5.050	5.500
50442	125.00	86.50	28.30	34.15	3.00	3.14	6.200	6.700
50448	143.80	101.00	25.70	30.40	2.40	2.75	4.600	5.100
50449	143.80	101.00	25.70	30.40	2.90	3.25	5.700	6.200
50451	146.00	103.80	30.30	34.20	3.00	3.50	6.700	7.200
50473	121.00	82.50	24.50	28.00	2.60	3.25	5.150	5.500
50476	146.00	105.00	27.00	30.00	2.80	3.00	5.850	6.400

D-HANDLE RADIUS



SE. No.	A	B	C	D	T	T1	WT RANGE /12FT	
50464	131.00	91.00	20.00	29.00	4.00	4.00	6.300	6.700
50466	152.00	112.00	20.00	29.00	4.00	4.00	7.100	7.800
50469	196.00	148.00	24.00	29.00	4.75	4.75	10.400	11.500

HALF ROUND HANDLE

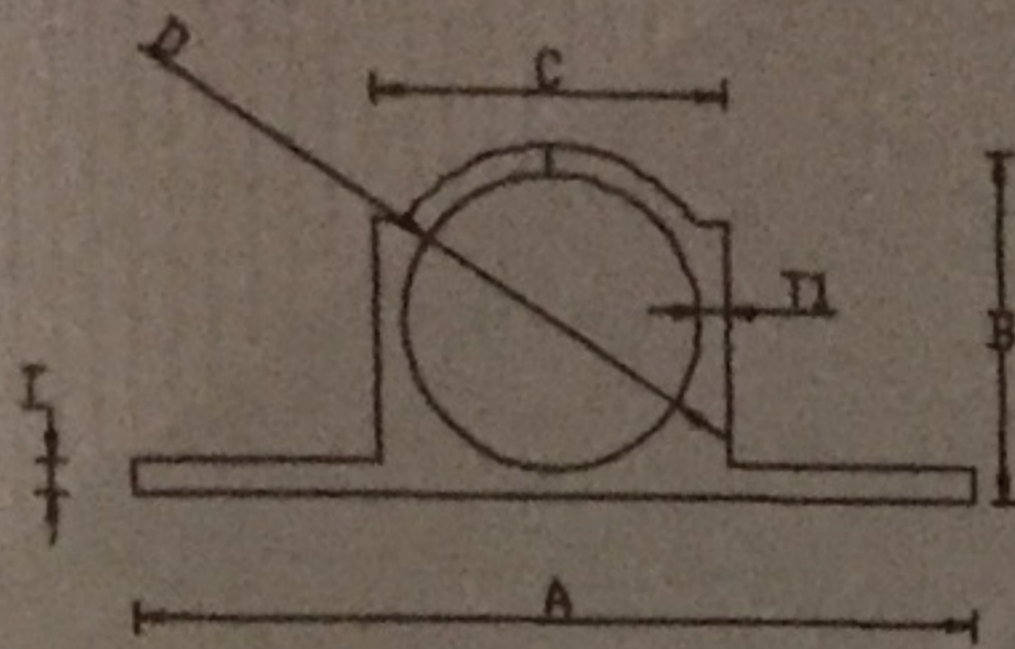


SE. No.	A	B	C	D	T	WT RANGE /12FT	
50482	131.00	91.00	17.80	28.50	3.00	4.400	5.000
50485	150.60	115.00	17.80	28.50	3.00	6.100	6.700

HARDWARES SECTIONS

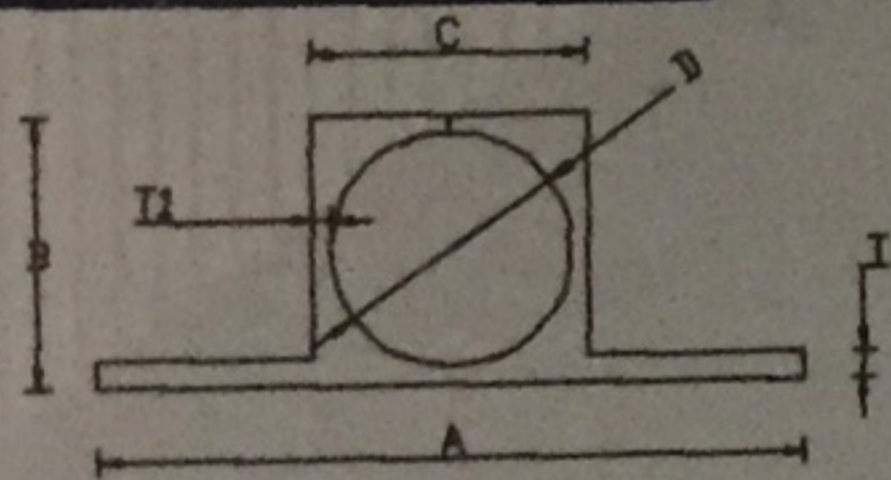


GENERAL TOWER BOLT



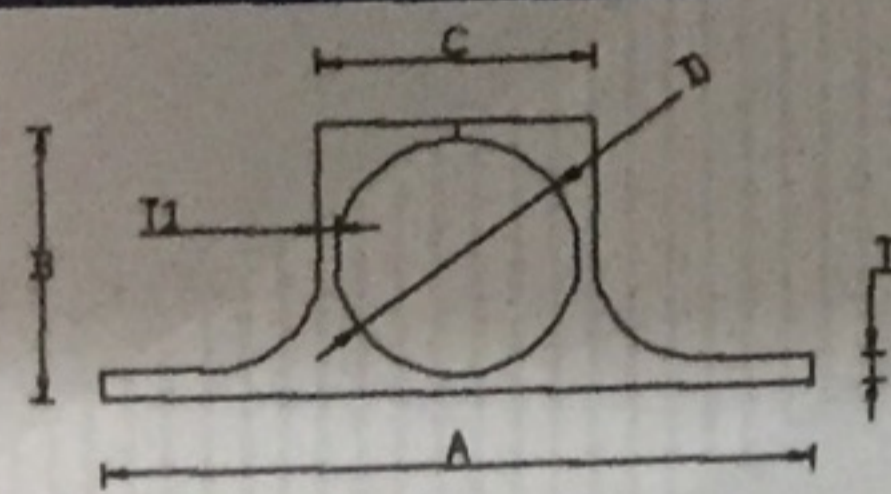
SE. No.	A	B	C	D	T	T1	WT RANGE /12FT	
50202	28.80	10.70	10.70	9.70	0.50	0.50	0.380	0.420
50204	29.80	11.10	11.10	9.65	0.80	1.00	0.560	0.600
50206	29.80	11.10	11.10	9.30	0.90	1.20	0.640	0.700
50208	30.10	11.10	11.10	9.50	1.20	0.70	0.620	0.670
50209	30.20	11.30	11.30	9.60	1.20	0.85	0.660	0.720
50216	31.00	12.00	12.00	10.50	0.80	1.10	0.630	0.680
50217	31.50	11.20	11.20	9.50	1.35	0.85	0.700	0.770
50219	31.10	12.50	12.50	10.60	1.10	1.00	0.740	0.800
50220	31.00	12.10	12.10	10.10	1.00	1.20	0.730	0.780
50220-M	31.50	12.00	12.00	10.90	0.90	1.30	0.770	0.840
50221	31.00	12.80	12.80	11.00	1.70	0.90	0.760	0.830
50222	31.40	12.90	12.90	10.95	1.95	1.00	0.890	0.960
50224	31.80	13.00	13.00	10.70	1.10	1.40	0.850	0.900
50226	31.60	13.20	13.20	11.00	1.20	1.20	0.920	0.970
50226-M	31.60	13.20	13.20	11.00	1.20	1.60	1.000	1.150
50232	33.50	11.90	11.90	10.80	0.55	0.55	0.470	0.520
50236	35.00	12.50	12.50	11.00	0.75	0.75	0.640	0.700
50238	35.00	12.70	12.70	11.50	0.60	1.10	0.670	0.730
50242	35.70	13.50	13.50	11.40	1.10	1.35	0.910	0.970
50247	36.10	14.00	14.00	12.10	1.80	0.95	1.050	1.150
50248	36.20	12.50	12.50	11.00	1.40	0.80	0.790	0.840
50252	36.50	15.50	15.50	12.50	1.50	2.00	1.400	1.500
50259	37.00	15.70	15.70	12.50	1.80	2.20	1.500	1.600
50260	38.00	16.50	16.50	12.80	1.85	1.85	1.630	1.750
50262	38.00	13.70	13.70	13.00	2.00	3.00	1.850	1.950
50267	38.60	13.00	13.00	11.60	0.70	1.20	0.850	0.910

SQUARE TOWER BOLT



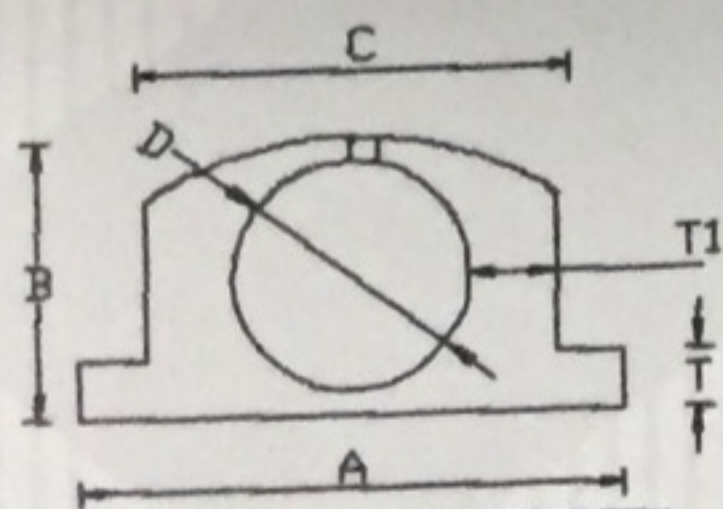
SE. No.	A	B	C	D	T	T1	WT RANGE /12FT	
50286	29.80	11.90	11.90	10.80	0.90	0.55	0.660	0.720
50287	31.00	12.00	12.00	10.90	0.80	1.05	0.700	0.750
50287-M	31.00	12.00	12.00	10.50	1.00	1.25	0.800	0.880
50289	37.00	15.00	15.00	12.30	1.60	2.00	1.300	1.500

SPECIAL TOWER BOLT



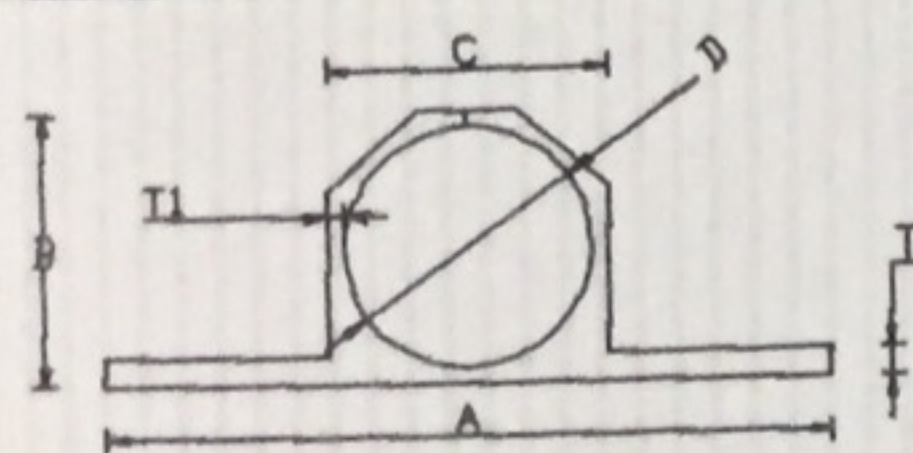
SE. No.	A	B	C	D	T	T1	WT RANGE /12FT	
50295	24.30	11.80	11.80	9.40	1.10	1.30	0.930	1.000
50296	24.30	11.80	11.80	9.40	1.30	1.50	1.050	1.150

HALF RADIUS T.BOLT



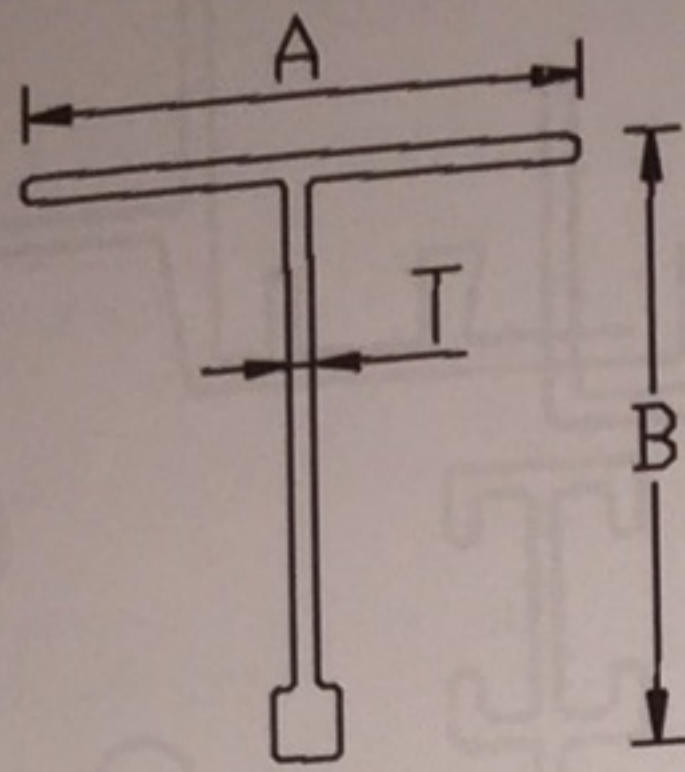
SE. No.	A	B	C	D	T	T1	WT RANGE /12FT	
50299	25.00	13.00	18.90	10.75	2.50	4.05	1.500	1.700
50300	25.30	13.00	16.50	11.10	2.80	2.75	1.300	1.500

HEX. T.BOLT

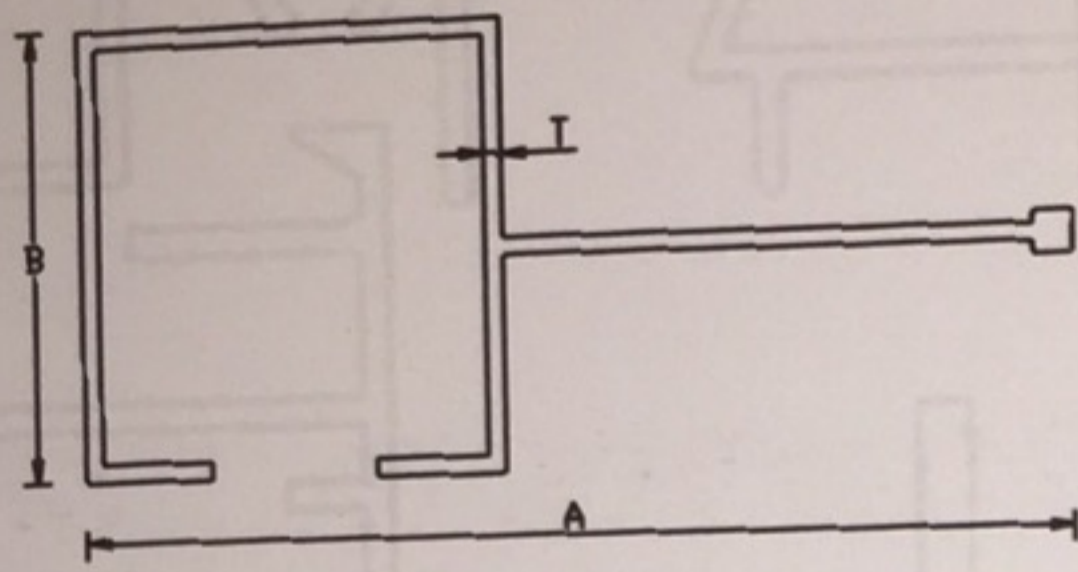


SE. No.	A	B	C	D	T	T1	WT RANGE /12FT	
50302	28.80	10.70	10.70	9.70	0.50	0.60	0.400	0.450
50310	35.00	13.20	13.20	11.90	0.70	1.20	0.720	0.800
50312	36.80	13.20	13.20	11.50	1.70	0.80	1.400	1.600
50314	36.50	13.00	13.00	11.50	1.20	1.00	1.250	1.400

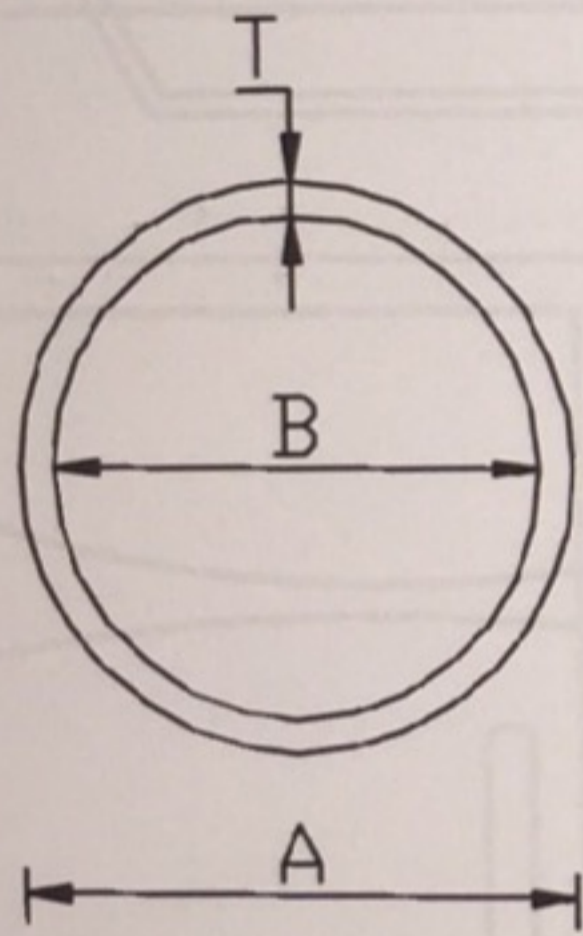
BULBED TEE



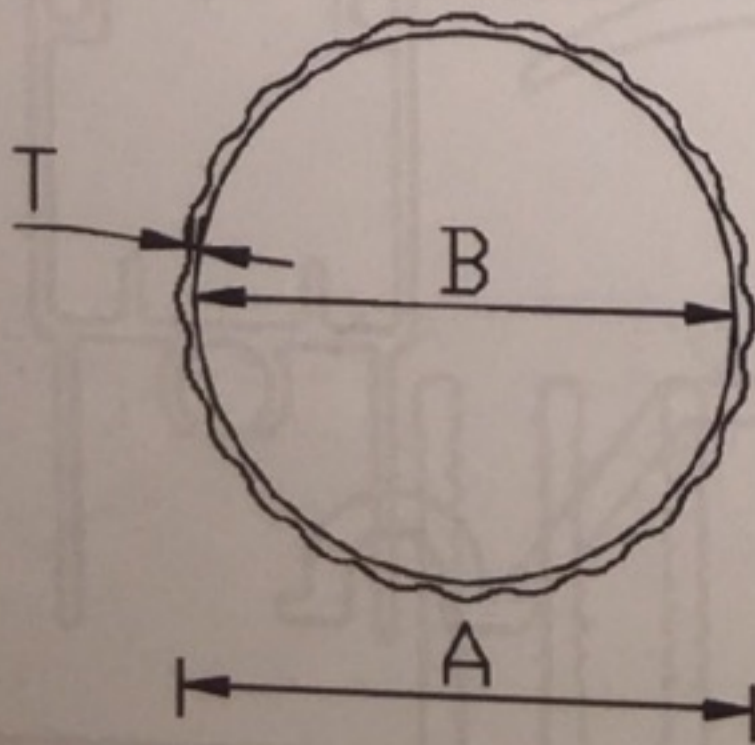
BULBED TEE WITH "C"



ROUND PIPE



FLUTED ROUND PIPE



SE. No.	A	B	T	WT RANGE /12FT	
51556	25.00	25.00	0.90	0.500	0.550
51558	25.00	25.00	1.40	0.720	0.770
51565	25.00	38.00	0.85	0.610	0.660
51566	25.00	38.00	1.25	0.850	0.950
51572	38.00	38.00	1.20	0.950	1.050
51573	38.00	38.00	1.50	1.200	1.300
51575	38.00	50.00	1.50	1.300	1.500

SE. No.	A	B	T	WT RANGE /12FT	
51735	88.50	38.00	1.50	2.750	3.050
51736	88.50	38.00	1.80	3.300	3.600

SE. No.	A	B	T	WT RANGE /12FT	
52005	6.40	4.40	1.00	0.170	0.190
52015	13.70	12.10	0.80	0.320	0.360
52021	18.00	17.10	0.45	0.250	0.300
52022	18.00	16.30	0.85	0.450	0.550
52025	18.00	15.60	1.25	0.650	0.720
52026	18.00	15.20	1.45	0.750	0.830
52027	18.00	14.85	1.55	0.800	0.880
52038	22.00	20.50	0.75	0.500	0.600
52038-L	22.00	20.80	0.60	0.400	0.450
52042	25.80	23.80	0.95	0.700	0.800
52043	25.00	22.00	1.50	1.100	1.200
52058	30.00	28.60	0.70	0.640	0.700
52061	30.30	28.50	0.90	0.770	0.850
52079	38.00	35.90	1.05	1.200	1.350
52101	49.00	47.00	1.00	1.500	1.800
52111	76.30	73.80	1.25	3.000	3.300
52111-M	76.30	73.30	1.50	3.600	3.950

SE. No.	A	B	T	WT RANGE /12FT	
52154	18.00	16.80	0.75	0.270	0.320
52154-M	18.00	16.00	1.00	0.390	0.440
52155	18.00	16.50	1.30	0.600	0.650
52157	19.00	17.25	0.90	0.400	0.450
52161	25.40	20.60	2.35	1.250	1.400
52166	28.00	26.20	0.90	0.580	0.650